

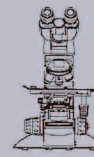
# „Crocus“ MCX100LCD

*Biological Microscope with LCD Screen*



„Crocus“ ist a high-tech product successfully developed by perfectly combining advanced optical microscope technology and first-rate computer image processing. It is used to observe biological images conveniently, thus to analyze and to grade biological image spectrum. Makes it easy to take photos or record videos, to store, output and print images.

SCIENCE



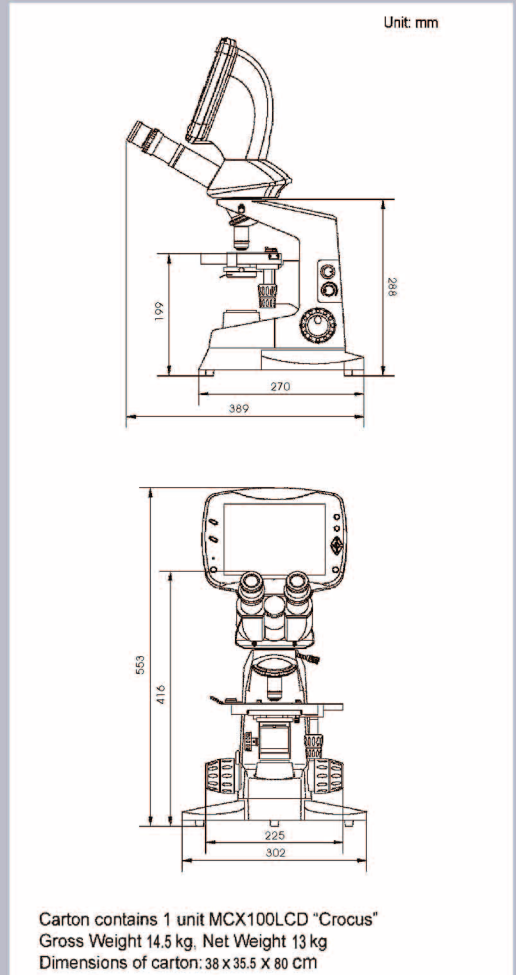
# micros

If you love microscopes!

## Specifications

		MCX100LCD "Crocus"
<b>Optical Magnification Range</b>	40x - 1000x	•
<b>Microscope Body</b>	Sturdy, 270 x 250 mm base with supportive rubber feet	•
<b>Nosepiece</b>	Quadruple, reverse-angle mechanism with multiple ball bearings, elastic nosepiece grip-ring	•
<b>Head</b>	Binocular Siedentopf Head, 30° inclined, interpupillary distance 55 – 75 mm, provided with Anti-Fungus Treatment	•
<b>Stage</b>	Double layer mechanical specimen stage with low position, coaxial coarse and calibrated fine focus control with graduation reading 2 microns per division. Total focusing range 40 mm, safety stop unit	•
<b>Condenser</b>	Abbé brightfield condenser, n.A. 1.25, integrated aperture diaphragm with positive guide marking for respective objectives	•
<b>Eyepieces</b>	WF 10x/18 widefield	•
<b>Objectives</b>	ICO Plan Infnitive 4x/0.10 ICO Plan Infnitive 10x/0.25 ICO Plan Infnitive 40x/0.65, spring loaded ICO Plan Infnitive 100x/1.25 oil, spring loaded	•
<b>Illumination</b>	Koehler Illumination, Power supply in-built, 6V 20W halogen bulb adjustable for 110/220V, 50/60Hz	•
<b>Power Cord</b>	Detachable	•
<b>Focusing Level</b>	Adjustable	•
<b>CA Tension Control</b>	Adjustable	•
<b>Accessories</b>	Dust cover, blue filter, immersion oil, instruction manual, fuses, 2 pcs. PHILIPS 6V 20W halogen bulbs	•
<b>Options</b>	Aluminium case, different eyepieces, Eyepieces security lockable.	•
<b>LCD Screen</b>	Real time live camera with 3MP CMOS camera, 8 inch (20,32 cm) TFT LCD screen, USB, SD/MMC interface, AV connection, image capture function or video recording with measuring options. NTSC or PAL version available	•

## Dimensional Diagram



Microscope designed and developed by MICROS Austria.

Specifications and equipment are subject to change without any obligation on the part of the manufacturer.

# micros

## Austria Headquarter

Breitenfurter Strasse 38  
A-1120 Vienna / AUSTRIA  
Phone: +43/1/802 72 70  
Fax: +43/1/802 72 71  
office@micros.at  
www.micros.at

# micros

## Russia, 123610 Moscow

World Trade Center Moscow  
Krasnopresnenskaya nab. 12  
Phone: +7/495/967 07 25  
Fax: +7/495/667 07 26  
info@micros-at.ru  
www.micros-at.ru



Member of  
Royal Microscopy Society

We are here for you: